

**LITTLE CHAMP™
POWER UNITS**

3 to 25 Gallon Reservoir Capacity

**POLYPAC®
SYSTEMS
CENTER**

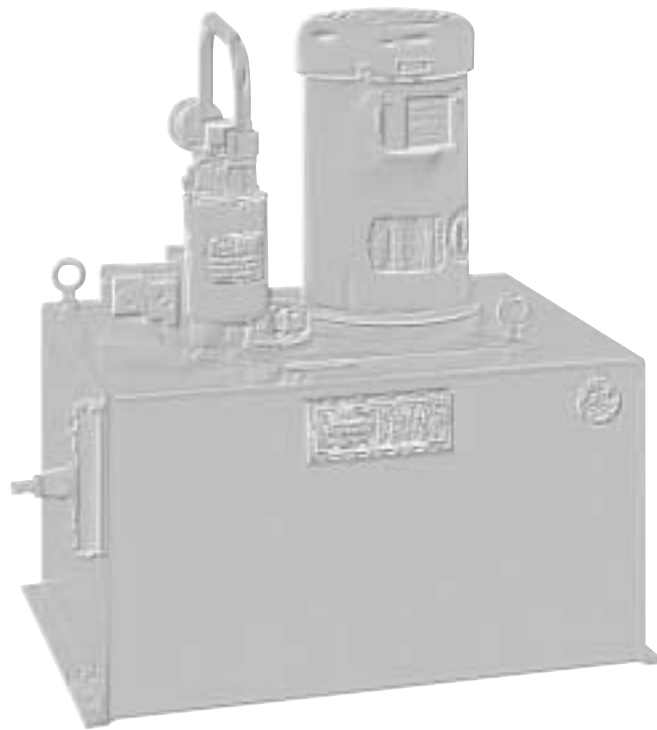


L
I
T
T
L
E

C
H
A
M
P™

P
O
W
E
R

U
N
I
T
S





POLYPAC[®] SYSTEMS CENTER

LITTLE CHAMP[™] POWER UNITS

3 to 25 Gallon Reservoir Capacity



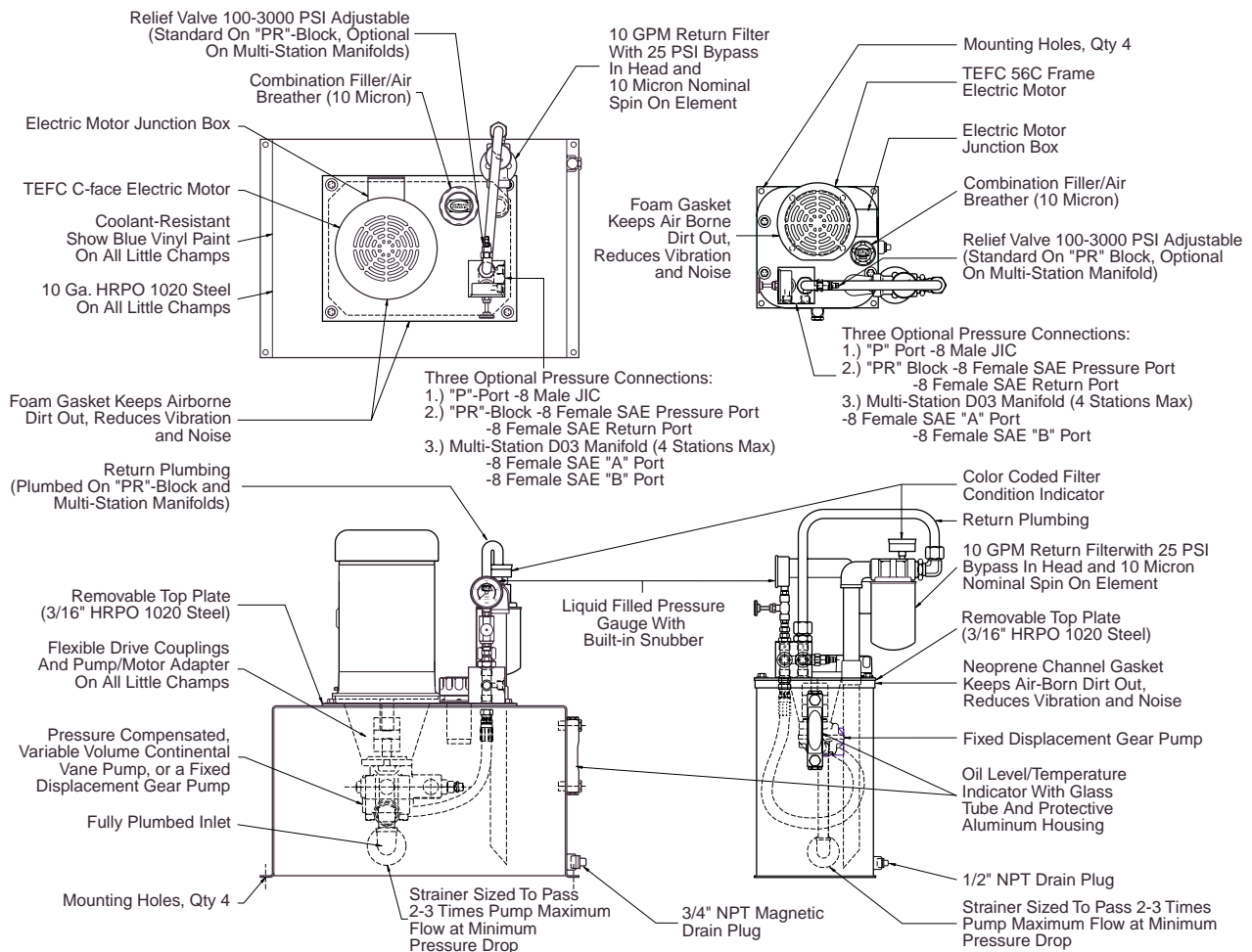
Little Champ[™] Power Units are designed for use in locations where space is limited and larger noisier power units are not needed. They're ideal for applications requiring moderate fluid volume and flow rate, short hydraulic lines, and quick cycling.

Typical applications include use with:

- Tilting and Dumping Equipment
- Optical Grinding Equipment
- Car Wash Equipment
- Commercial Trash Compactors

Little Champ[™] systems are ready to use, with all but the actuators plumbed.

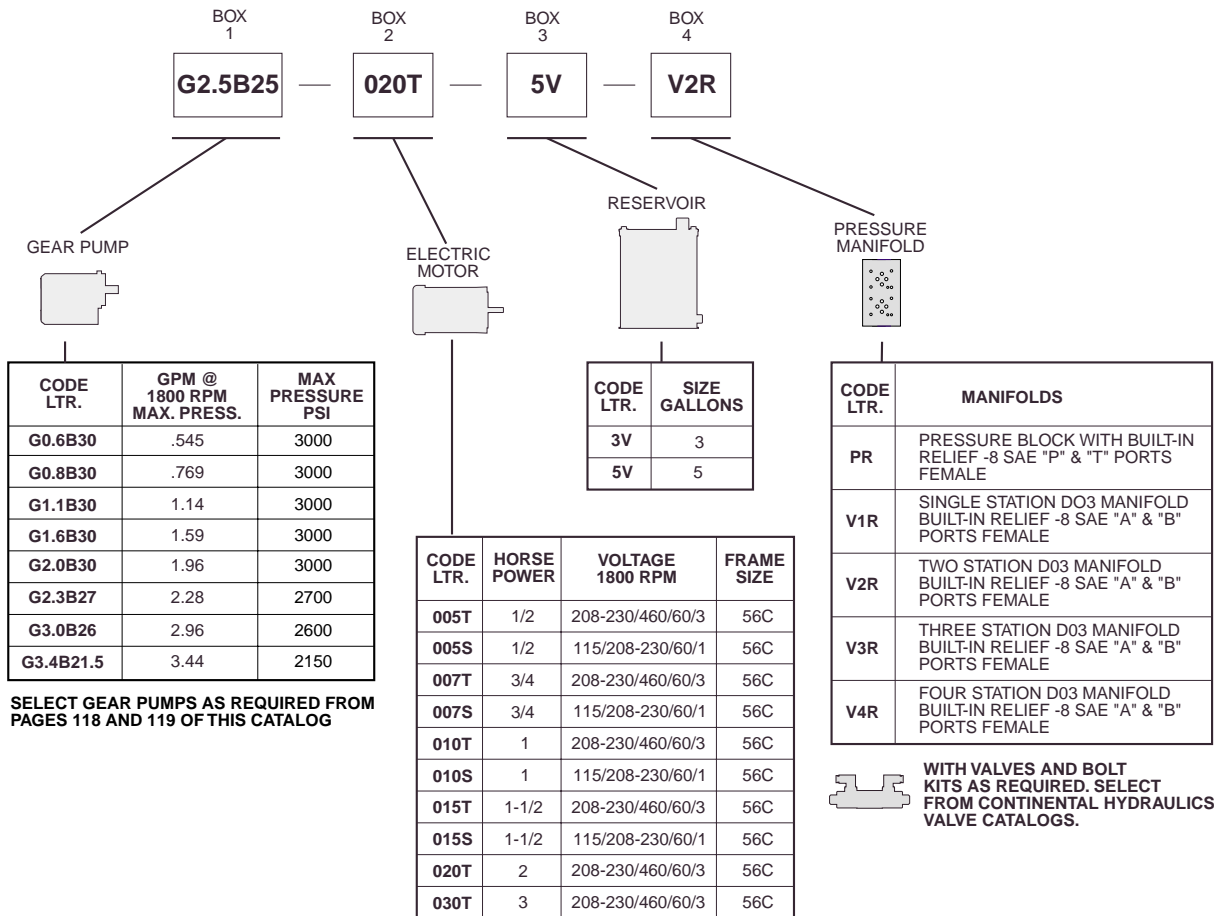
Little Champ[™] Power Units are the perfect choice for applications involving frequent stops and starts, where localized power is needed, or where the noise and vibration of a larger power unit would be distracting.



LITTLE CHAMP™ POWER UNITS WITH GEAR PUMPS

3 to 5 Gallon Reservoir Capacity

POLYPAC SYSTEMS CENTER®



SELECT GEAR PUMPS AS REQUIRED FROM PAGES 118 AND 119 OF THIS CATALOG

- NOTE:**
1. COMPLETE OPTION CODE DESCRIPTIONS ARE GIVEN IN THE ACCESSORY SECTION OF THE POLYPAC SYSTEMS CENTER CATALOG.
 2. SUBPLATE AND MANIFOLD DIMENSIONS ARE GIVEN IN THE CONTINENTAL HYDRAULICS SUBPLATE AND MANIFOLD CATALOG.
 3. PUMP AND MOTOR RANGES LISTED FOR EACH RESERVOIR SIZE ARE STANDARD COMBINATIONS. FOR SPECIAL COMBINATIONS PLEASE DISCUSS YOUR APPLICATION WITH YOUR CONTINENTAL HYDRAULICS DISTRIBUTOR OR THE FACTORY

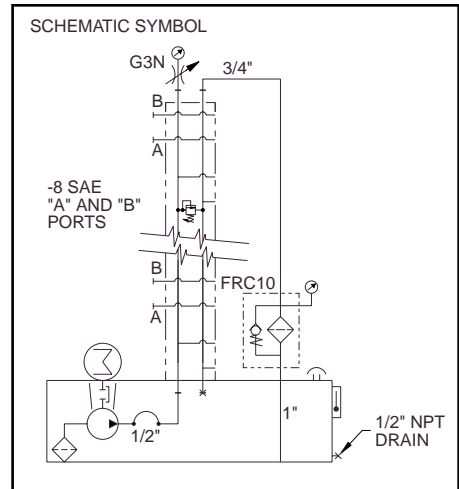
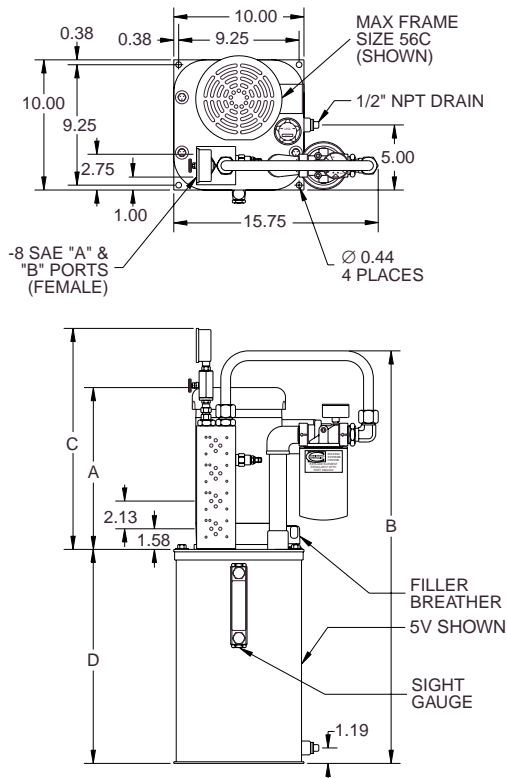
TYPICAL ORDERING CODE

G2.3B27-020T-5V-V2R (Power Unit)
 VS5M-3A-GB-60L (Dir. Control Valve) Qty 2
 NS5-NDC-G-S (Flow Control Valve) Qty 2
 BD03-250 (Bolt Kit) Qty 2



POLYPAC[®] SYSTEMS CENTER

3V/5V WITH "PR" BLOCK Dimensions - Little Champ[™]



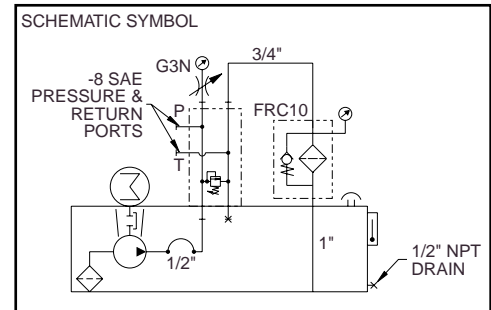
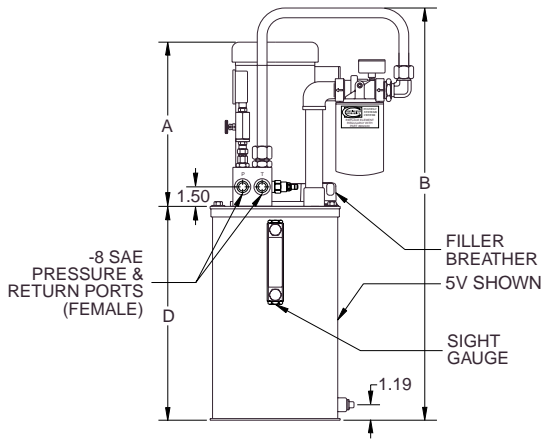
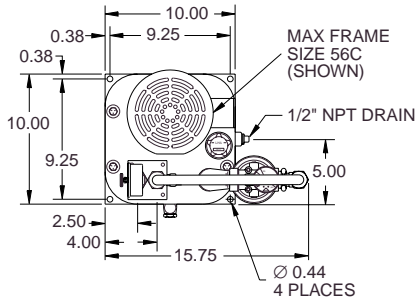
DIMENSIONS						
MOTOR FRAME	CODE	A	B		C	
			3V	5V	NO. OF STATIONS	
56C	005T	9.69"	27.69"	28.57"	1	10.56"
56C	005S	10.31"	27.69"	28.57"	2	12.75"
56C	007T	9.69"	27.69"	28.57"	3	14.88"
56C	007S	10.81"	27.69"	28.57"	4	17.00"
56C	010T	10.31"	27.69"	28.57"		
56C	010S	11.56"	27.69"	28.57"		
56C	015T	10.56"	27.69"	28.57"		
56C	015S	12.56"	27.69"	28.57"		
56C	020T	11.56"	27.69"	28.57"		
56C	030T	12.43"	27.69"	28.57"		
RESERVOIR	D					
3V	12.44"					
5V	16.44"					

GENERAL SPECIFICATIONS	3V	5V
RESERVOIR CAPACITY	3 U.S. GAL. (11.36 Liters)	5 U.S. GAL. (18.93 Liters)
SURFACE AREA FOR HEAT TRANSFER	2.22 SQ. FT.	3.16 SQ. FT.
HEAT DISSIPATION AT ΔT = 50 DEG F.	.09 HP	.12 HP
BASIC WEIGHT (LESS OIL, PUMP, AND MOTOR)	41 LBS.	47 LBS.
USABLE GALLONS	2.02	3.44
GALLONS PER INCH RISE	.36	.36
CAPACITY, FULL TO TOP PLATE	4.37 Gal.	5.81 Gal.
CAPACITY, HIGH ON SIGHT GAUGE	3.42 Gal.	4.86 Gal.
CAPACITY, LOW ON SIGHT GAUGE	2.34 Gal.	3.78 Gal.
PUMP DATA	See pages 114 through 115 for complete codes and specifications.	
FLOW RANGE	UP TO 6 G.P.M.	UP TO 6 G.P.M.
PRESSURE RANGE	UP TO 3500-P.S.I.	UP TO 3500-P.S.I.
POWER RANGE	.5 - 3 HP	.5 - 3 HP

3V/5V WITH MANIFOLD

Dimensions - Little Champ™

**POLYPAC
SYSTEMS
CENTER**



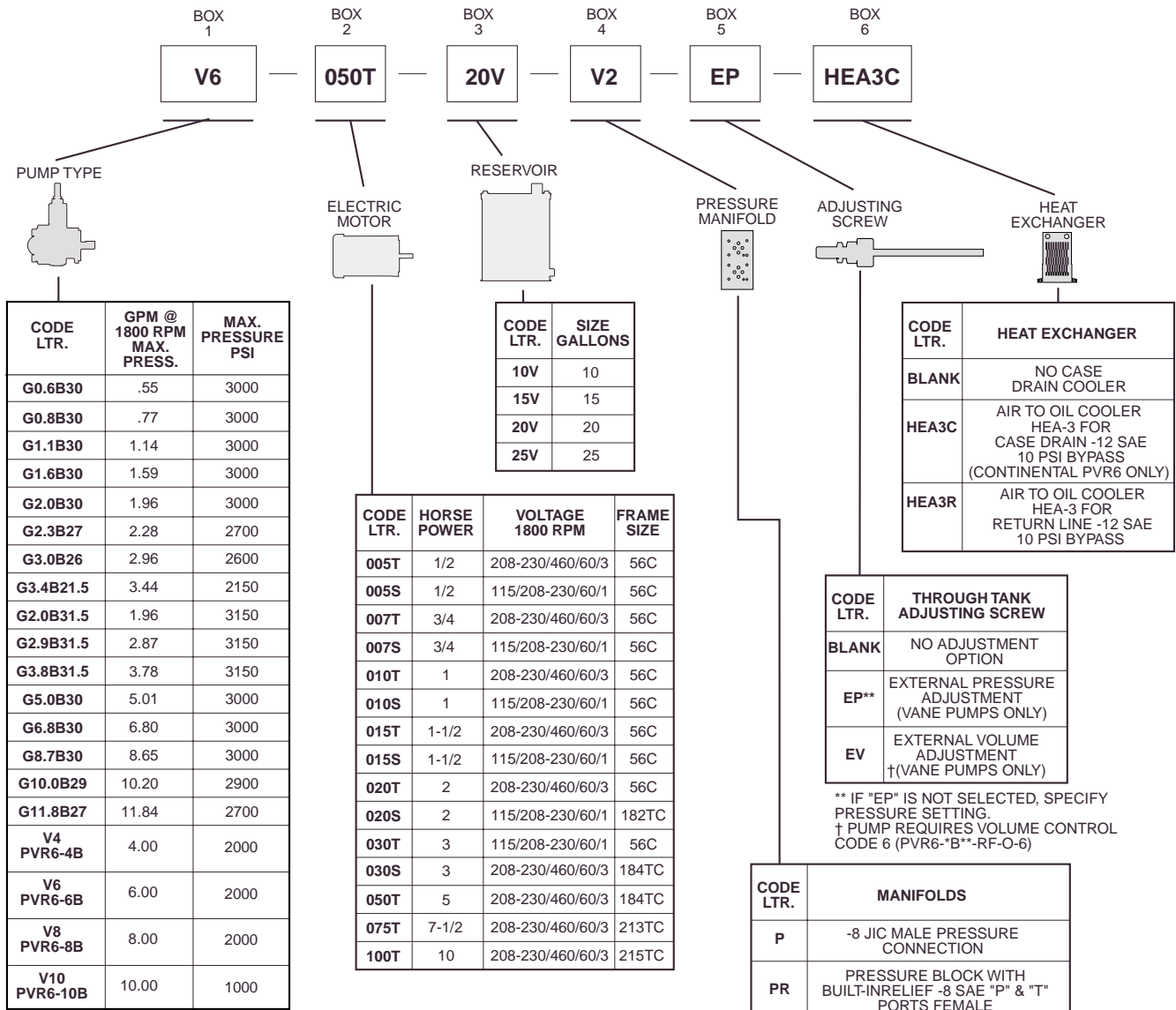
DIMENSIONS		A	B	
MOTOR FRAME	CODE		3V	5V
56C	005T	9.69"	27.69"	28.57"
56C	005S	10.31"	27.69"	28.57"
56C	007T	9.69"	27.69"	28.57"
56C	007S	10.81"	27.69"	28.57"
56C	010T	10.31"	27.69"	28.57"
56C	010S	11.56"	27.69"	28.57"
56C	015T	10.56"	27.69"	28.57"
56C	015S	12.56"	27.69"	28.57"
56C	020T	11.56"	27.69"	28.57"
56C	030T	12.43"	27.69"	28.57"
RESERVOIR		D		
3V		12.44"		
5V		16.44"		

GENERAL SPECIFICATIONS	3V	5V
RESERVOIR CAPACITY	3 U.S. GAL. (11.36 Liters)	5 U.S. GAL. (18.93 Liters)
SURFACE AREA FOR HEAT TRANSFER	2.22 SQ. FT.	3.16 SQ. FT.
HEAT DISSIPATION AT ΔT = 50 DEG F.	.09 HP	.12 HP
BASIC WEIGHT (LESS OIL, PUMP, AND MOTOR)	41 LBS.	47 LBS.
USABLE GALLONS	2.02 GAL.	3.44 GAL.
GALLONS PER INCH RISE	.36 GAL.	.36 GAL.
CAPACITY, FULL TO TOP PLATE	4.37 GAL.	5.81 GAL.
CAPACITY, HIGH ON SIGHT GAUGE	3.42 GAL.	4.86 GAL.
CAPACITY, LOW ON SIGHT GAUGE	2.34 GAL.	3.78 GAL.
PUMP DATA	See pages 114 through 115 for complete codes and specifications.	
FLOW RANGE	UP TO 4 G.P.M.	UP TO 4 G.P.M.
PRESSURE RANGE	UP TO 3000-P.S.I.	UP TO 3000-P.S.I.
POWER RANGE	3 HP	3 HP



POLYPAC[®] SYSTEMS CENTER

LITTLE CHAMP[™] POWER UNITS WITH GEAR OR VANE PUMPS 10 to 25 Gallon Reservoir Capacity



CODE LTR.	GPM @ 1800 RPM MAX. PRESS.	MAX. PRESSURE PSI
G0.6B30	.55	3000
G0.8B30	.77	3000
G1.1B30	1.14	3000
G1.6B30	1.59	3000
G2.0B30	1.96	3000
G2.3B27	2.28	2700
G3.0B26	2.96	2600
G3.4B21.5	3.44	2150
G2.0B31.5	1.96	3150
G2.9B31.5	2.87	3150
G3.8B31.5	3.78	3150
G5.0B30	5.01	3000
G6.8B30	6.80	3000
G8.7B30	8.65	3000
G10.0B29	10.20	2900
G11.8B27	11.84	2700
V4 PVR6-4B	4.00	2000
V6 PVR6-6B	6.00	2000
V8 PVR6-8B	8.00	2000
V10 PVR6-10B	10.00	1000

CODE LTR.	SIZE GALLONS
10V	10
15V	15
20V	20
25V	25

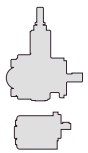
CODE LTR.	HORSE POWER	VOLTAGE 1800 RPM	FRAME SIZE
005T	1/2	208-230/460/60/3	56C
005S	1/2	115/208-230/60/1	56C
007T	3/4	208-230/460/60/3	56C
007S	3/4	115/208-230/60/1	56C
010T	1	208-230/460/60/3	56C
010S	1	115/208-230/60/1	56C
015T	1-1/2	208-230/460/60/3	56C
015S	1-1/2	115/208-230/60/1	56C
020T	2	208-230/460/60/3	56C
020S	2	115/208-230/60/1	182TC
030T	3	115/208-230/60/1	56C
030S	3	208-230/460/60/3	184TC
050T	5	208-230/460/60/3	184TC
075T	7-1/2	208-230/460/60/3	213TC
100T	10	208-230/460/60/3	215TC

CODE LTR.	HEAT EXCHANGER
BLANK	NO CASE DRAIN COOLER
HEA3C	AIR TO OIL COOLER HEA-3 FOR CASE DRAIN -12 SAE 10 PSI BYPASS (CONTINENTAL PVR6 ONLY)
HEA3R	AIR TO OIL COOLER HEA-3 FOR RETURN LINE -12 SAE 10 PSI BYPASS

CODE LTR.	THROUGH TANK ADJUSTING SCREW
BLANK	NO ADJUSTMENT OPTION
EP**	EXTERNAL PRESSURE ADJUSTMENT (VANE PUMPS ONLY)
EV	EXTERNAL VOLUME ADJUSTMENT †(VANE PUMPS ONLY)

** IF "EP" IS NOT SELECTED, SPECIFY PRESSURE SETTING.
† PUMP REQUIRES VOLUME CONTROL CODE 6 (PVR6-"B"-RF-O-6)

CODE LTR.	MANIFOLDS
P	-8 JIC MALE PRESSURE CONNECTION
PR	PRESSURE BLOCK WITH BUILT-IN RELIEF -8 SAE "P" & "T" PORTS FEMALE
V1	SINGLE STATION D03 MANIFOLD -8 SAE "A" & "B" PORTS FEMALE
V1R	SINGLE STATION D03 MANIFOLD BUILT-IN RELIEF -8 SAE "A" & "B" PORTS FEMALE
V2	TWO STATION D03 MANIFOLD -8 SAE "A" & "B" PORTS FEMALE
V2R	TWO STATION D03 MANIFOLD BUILT-IN RELIEF -8 SAE "A" & "B" PORTS FEMALE
V3	THREE STATION D03 MANIFOLD -8 SAE "A" & "B" PORTS FEMALE
V3R	THREE STATION D03 MANIFOLD BUILT-IN RELIEF -8 SAE "A" & "B" PORTS FEMALE
V4	FOUR STATION D03 MANIFOLD -8 SAE "A" & "B" PORTS FEMALE
V4R	FOUR STATION D03 MANIFOLD BUILT-IN RELIEF -8 SAE "A" & "B" PORTS FEMALE



SELECT VANE PUMPS AS REQUIRED FROM CONTINENTAL HYDRAULICS VANE PUMP CATALOG

SELECT GEAR PUMPS AS REQUIRED FROM PAGES 118 AND 119 OF THIS CATALOG

NOTE:

1. COMPLETE OPTION CODE DESCRIPTIONS ARE GIVEN IN THE ACCESSORY SECTION OF THE POLYPAC SYSTEMS CENTER CATALOG.
2. MANIFOLD DIMENSIONS ARE GIVEN IN THE CONTINENTAL HYDRAULICS SUBPLATE AND MANIFOLD CATALOG.
3. PUMP AND MOTOR RANGES LISTED FOR EACH RESERVOIR SIZE ARE STANDARD COMBINATIONS. FOR SPECIAL COMBINATIONS PLEASE DISCUSS YOUR APPLICATION WITH YOUR CONTINENTAL HYDRAULICS DISTRIBUTOR OR THE FACTORY

TYPICAL ORDERING CODE

V4-050T-10V-V1-EP-HEA3C (Power Unit)
VS5M-3A-GB-60L (Flow Control Valve)
N5S-NDC-G-S (Dir. Control Valve)
BD03-250, (Bolt Kit)

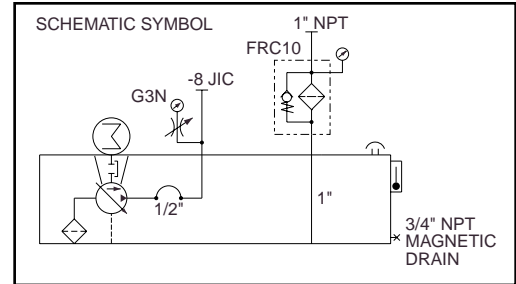
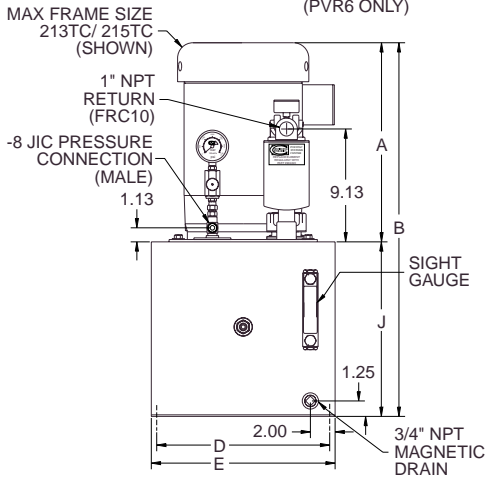
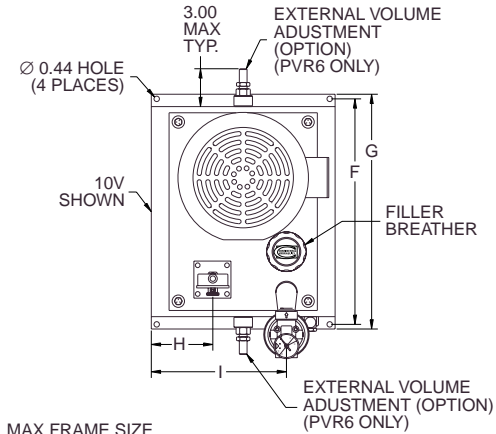


SELECT VALVES AS REQUIRED FROM APPROPRIATE CONTINENTAL HYDRAULICS CATALOG

10V - 25V "P" PORT WITH PVR6 VANE PUMP

Dimensions - Little Champ™

POLYPAC® SYSTEMS CENTER



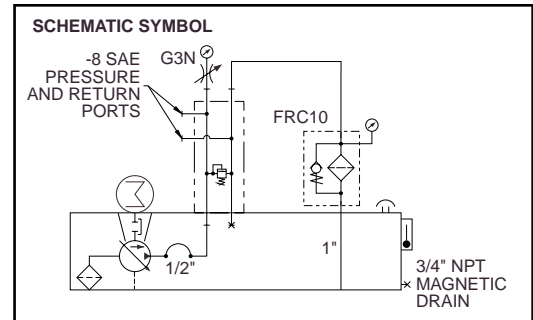
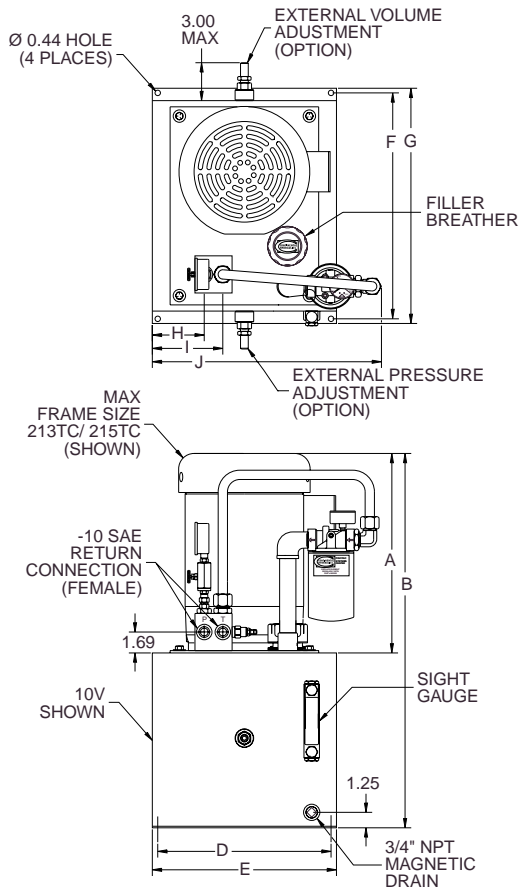
DIMENSIONS							
MOTOR FRAME	CODE	A	B				
			10V/20V	15V/25V			
56C	005T	10.27"	24.40"	28.40"			
56C	005S	10.89"	25.02"	29.02"			
56C	007T	10.29"	24.42"	28.42"			
56C	007S	11.39"	25.52"	29.52"			
56C	010T	10.89"	25.02"	29.02"			
56C	010S	12.14"	26.27"	30.27"			
56C	015T	11.14"	25.27"	29.27"			
56C	015S	13.07"	27.20"	31.20"			
56C	020T	12.14"	26.27"	30.27"			
182TC	020S	14.89"	29.02"	33.02"			
56C	030T	13.01"	27.14"	31.14"			
182TC	030S	14.88"	29.01"	33.01"			
184TC	050T	14.89"	29.02"	33.02"			
213TC	075T	16.52"	30.65"	34.65"			
215TC	100T	17.64"	31.77"	35.77"			
RESERVOIR	D	E	F	G	H	I	J
10V	14.00"	14.88"	18.25"	19.00"	5.00"	11.00"	14.13"
15V	14.00"	14.88"	18.25"	19.00"	5.00"	11.00"	18.38"
20V	17.12"	18.00"	25.38"	26.25"	6.56"	11.56"	14.13"
25V	17.12"	18.00"	25.38"	26.25"	6.56"	11.56"	18.38"

GENERAL SPECIFICATIONS	10V	15V	20V	25V
RESERVOIR CAPACITY	10 U.S. GAL. (37.85 Liters)	15 U.S. GAL. (56.78 Liters)	20 U.S. GAL. (75.70 Liters)	25 U.S. GAL. (94.63 Liters)
SURFACE AREA FOR HEAT TRANSFER	4.55 SQ. FT.	6.33 SQ. FT.	6.48 SQ. FT.	8.07 SQ. FT.
HEAT DISSIPATION AT ΔT = 50 DEG F.	.179 HP	.249 HP	.255 HP	.317 HP
BASIC WEIGHT (LESS OIL, PUMP, AND MOTOR)	77 LBS.	87 LBS.	103 LBS.	115 LBS.
USABLE GALLONS	6	10.96	12.98	17.98
GALLONS PER INCH RISE	1.04	1.04	1.82	1.82
CAPACITY, FULL TO TOP PLATE	14.34 Gal.	18.51 Gal.	25.00 Gal.	32.27 Gal.
CAPACITY, HIGH ON SIGHT GAUGE	10.30 Gal.	15.25 Gal.	20.45 Gal.	25.45 Gal.
CAPACITY, LOW ON SIGHT GAUGE	7.17 Gal.	12.13 Gal.	15.00 Gal.	20.00 Gal.
PUMP DATA See Continental Hydraulics VANE PUMP CATALOG for complete codes and specifications.				
FLOW RANGE	UP TO 11 G.P.M.	UP TO 11 G.P.M.	UP TO 11 G.P.M.	UP TO 11 G.P.M.
PRESSURE RANGE	UP TO 3000-P.S.I.	UP TO 3000-P.S.I.	UP TO 3000-P.S.I.	UP TO 3000-P.S.I.
POWER RANGE	UP TO 10 HP	UP TO 10 HP	UP TO 10 HP	UP TO 10 HP



POLYPAC[®] SYSTEMS CENTER

10V - 25V "PR" BLOCK WITH PVR6 VANE PUMP Dimensions - Little Champ[™]



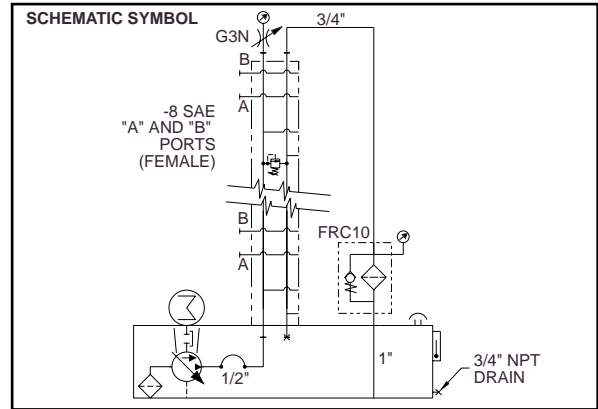
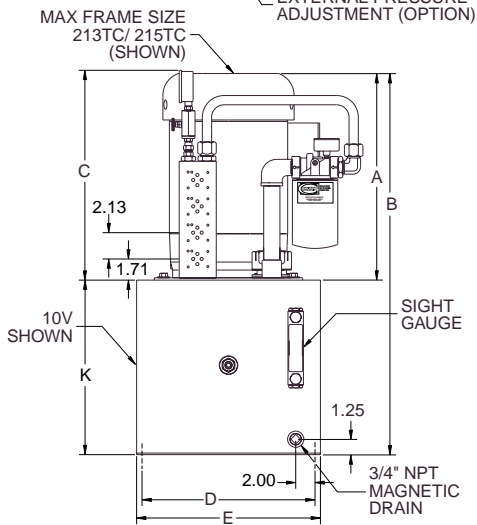
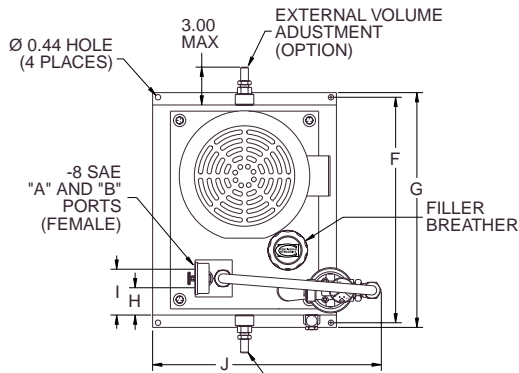
DIMENSIONS		A	B					
MOTOR FRAME	CODE		10V/20V	15V/25V				
56C	005T	10.27"	24.40"	28.40"				
56C	005S	10.89"	25.02"	29.02"				
56C	007T	10.29"	24.42"	28.42"				
56C	007S	11.39"	25.52"	29.52"				
56C	010T	10.89"	25.02"	29.02"				
56C	010S	12.14"	26.27"	30.27"				
56C	015T	11.14"	25.27"	29.27"				
56C	015S	13.07"	27.20"	31.20"				
56C	020T	12.14"	26.27"	30.27"				
182TC	020S	14.89"	29.02"	33.02"				
56C	030T	13.01"	27.14"	31.14"				
182TC	030S	14.88"	29.01"	33.01"				
184TC	050T	14.89"	29.02"	33.02"				
213TC	075T	16.52"	30.65"	34.65"				
215TC	100T	17.64"	31.77"	35.77"				
RESERVOIR	D	E	F	G	H	I	J	K
10V	14.00"	14.88"	18.25"	19.00"	4.19"	5.69"	18.59"	14.13"
15V	14.00"	14.88"	18.25"	19.00"	4.19"	5.69"	18.59"	18.38"
20V	17.12"	18.00"	25.38"	26.25"	5.75"	7.25"	20.15"	14.13"
25V	17.12"	18.00"	25.38"	26.25"	5.75"	7.25"	20.15"	18.38"

GENERAL SPECIFICATIONS	10V	15V	20V	25V
RESERVOIR CAPACITY	10 U.S. GAL. (37.85 Liters)	15 U.S. GAL. (56.78 Liters)	20 U.S. GAL. (75.70 Liters)	25 U.S. GAL. (94.63 Liters)
SURFACE AREA FOR HEAT TRANSFER	4.55 SQ. FT.	6.33 SQ. FT.	6.48 SQ. FT.	8.07 SQ. FT.
HEAT DISSIPATION AT ΔT = 50 DEG F.	.179 HP	.249 HP	.255 HP	.317 HP
BASIC WEIGHT (LESS OIL, PUMP, AND MOTOR)	77 LBS.	87 LBS.	103 LBS.	115 LBS.
USABLE GALLONS	6 GAL.	10.96 GAL.	12.98 GAL.	17.98 GAL.
GALLONS PER INCH RISE	1.04 GAL.	1.04 GAL.	1.82 GAL.	1.82 GAL.
CAPACITY, FULL TO TOP PLATE	14.34 GAL.	18.51 GAL.	25.00 GAL.	32.27 GAL.
CAPACITY, HIGH ON SIGHT GAUGE	10.30 GAL.	15.25 GAL.	20.45 GAL.	25.45 GAL.
CAPACITY, LOW ON SIGHT GAUGE	7.17 GAL.	12.13 GAL.	15.00 GAL.	20.00 GAL.
PUMP DATA See Continental Hydraulics VANE PUMP CATALOG for complete codes and specifications.				
FLOW RANGE	UP TO 11 G.P.M.	UP TO 11 G.P.M.	UP TO 11 G.P.M.	UP TO 11 G.P.M.
PRESSURE RANGE	UP TO 3000-P.S.I.	UP TO 3000-P.S.I.	UP TO 3000-P.S.I.	UP TO 3000-P.S.I.
POWER RANGE	UP TO 10 HP	UP TO 10 HP	UP TO 10 HP	UP TO 10 HP

10V - 25V MANIFOLD WITH PVR6 VANE PUMP

Dimensions - Little Champ™

POLYPAC SYSTEMS CENTER



DIMENSIONS		B			C			
MOTOR FRAME	CODE	A	10V/20V	15V/25V	NO. OF STATIONS			
56C	005T	10.27"	24.40"	28.40"	1	10.56"		
56C	005S	10.89"	25.02"	29.02"	2	12.75"		
56C	007T	10.29"	24.42"	28.42"	3	14.88"		
56C	007S	11.39"	25.52"	29.52"	4	17.00"		
56C	010T	10.89"	25.02"	29.02"				
56C	010S	12.14"	26.27"	30.27"				
56C	015T	11.14"	25.27"	29.27"				
56C	015S	13.07"	27.20"	31.20"				
56C	020T	12.14"	26.27"	30.27"				
182TC	020S	14.89"	29.02"	33.02"				
56C	030T	13.01"	27.14"	31.14"				
182TC	030S	14.88"	29.01"	33.01"				
184TC	050T	14.89"	29.02"	33.02"				
213TC	075T	16.52"	30.65"	34.65"				
215TC	100T	16.96"	31.77"	35.77"				
RESERVOIR	D	E	F	G	H	I	J	K
10V	14.00"	14.88"	18.25"	19.00"	4.19"	5.69"	18.59"	14.13"
15V	14.00"	14.88"	18.25"	19.00"	4.19"	5.69"	18.59"	18.38"
20V	17.12"	18.00"	25.38"	26.25"	5.75"	7.25"	20.15"	14.13"
25V	17.12"	18.00"	25.38"	26.25"	5.75"	7.25"	20.15"	18.38"

GENERAL SPECIFICATIONS	10V	15V	20V	25V
RESERVOIR CAPACITY	10 U.S. GAL. (37.85 Liters)	15 U.S. GAL. (56.78 Liters)	20 U.S. GAL. (75.70 Liters)	25 U.S. GAL. (94.63 Liters)
SURFACE AREA FOR HEAT TRANSFER	4.55 SQ. FT.	6.33 SQ. FT.	6.48 SQ. FT.	8.07 SQ. FT.
HEAT DISSIPATION AT ΔT = 50 DEG F.	.179 HP	.249 HP	.255 HP	.317 HP
BASIC WEIGHT (LESS OIL, PUMP, AND MOTOR)	77 LBS.	87 LBS.	103 LBS.	115 LBS.
USABLE GALLONS	6	10.96	12.98	17.98
GALLONS PER INCH RISE	1.04	1.04	1.82	1.82
CAPACITY, FULL TO TOP PLATE	14.34 Gal.	18.51 Gal.	25.00 Gal.	32.27 Gal.
CAPACITY, HIGH ON SIGHT GAUGE	10.30 Gal.	15.25 Gal.	20.45 Gal.	25.45 Gal.
CAPACITY, LOW ON SIGHT GAUGE	7.17 Gal.	12.13 Gal.	15.00 Gal.	20.00 Gal.
PUMP DATA See Continental Hydraulics VANE PUMP CATALOG for complete codes and specifications.				
FLOW RANGE	UP TO 11 G.P.M.	UP TO 11 G.P.M.	UP TO 11 G.P.M.	UP TO 11 G.P.M.
PRESSURE RANGE	UP TO 3000-P.S.I.	UP TO 3000-P.S.I.	UP TO 3000-P.S.I.	UP TO 3000-P.S.I.
POWER RANGE	UP TO 10 HP	UP TO 10 HP	UP TO 10 HP	UP TO 10 HP



[®] **POLYPAC[®]**
SYSTEMS
CENTER



Whether you need one Little Champ™ or a dozen, we can deliver!