



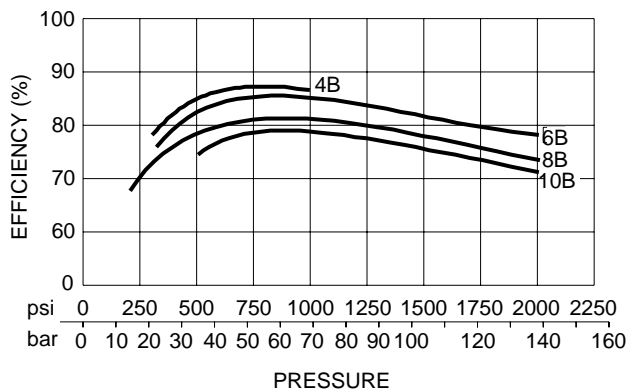
PVR6 SERIES VANE PUMPS

VARIABLE DISPLACEMENT PRESSURE COMPENSATED

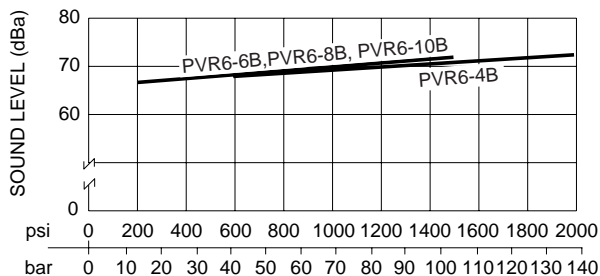


Flanged Mounted
SAE "A" 2-Bolt

OVERALL EFFICIENCY 1750 rpm at Full Displacement



TYPICAL SOUND LEVEL @ 1750 rpm



TYPICAL PERFORMANCE SPECIFICATIONS

		PUMP SIZE				
		4B	6B	8B	10B	
VOLUMETRIC DISPLACEMENT*	cu. in./rev.	0.7	0.9	1.2	1.4	
	ml/rev.	11.5	14.8	19.7	23.1	
PUMP DELIVERY AT 1750 RPM*	91.5 psi	gpm	5.2	7	9	11
	6.3 bar	lpm	19.7	26.5	34	41
	rated	gpm	4	6	8	10
	pressure	lpm	15.1	22.7	30.3	38
COMPENSATED PRESSURE RANGES	Max.	psi	2000	2000	2000	1000
		bar	138	138	138	69
	Rated	psi	2000	2000	2000	1000
		bar	138	138	138	69
	Min.	psi	500	300	200	300
		bar	35	20	14	20
OPERATING SPEEDS**	Min. rpm	800			800	
	Rated rpm	1750			1750	
	Max. rpm	3600			1800	
POWER INPUT AT RATED FLOW & PRESSURE (1750 rpm)	hp	7	9	11	8	
	kW	5.2	6.7	8.2	5.9	
SUCTION	PRESSURE	Max.	psi		20	10
		bar	1.4		0.70	
	Min.	in./Hg		7		
	Specific Grav. < 1	bar		-0.25		
	Min.	in./Hg		5		
Specific Grav. > 1	bar		-0.17			
FLUID VELOCITY	Max.	ft./sec.		5		
		m/sec.		1.5		
CASE CRAN	NOMINAL FLOW AT DEADHEAD	Max.	cipm	31	31	37
		Pressure	mlpm	500	500	600
	PRESSURE	Min.	cipm		10	
		Pressure	mlpm		170	
MAXIMUM CASE PRESSURE	psi	10				
	bar	0.7				
WEIGHT	lbs.	20				
	kg	9				

NOTES:

- * Volumetric displacement is measured displacement at 91.5 psi (6.3 bar) and rated rpm. Volumetric displacement varies with both pressure and rpm. Flow rates at any rpm other than the rated rpm may be approximated as follows:
 $Q_2 = Q_1 (N-142)/1667$ where Q_1 = Flow (gpm) at rated rpm at 91.5 psi (6.3 bar).
 Q_2 = Flow (gpm) at N rpm.
 N = rpm at which Q_2 is to be determined.
- ** When operating above 1500 psi (103 bar), it is recommended that a direct-acting differential relief valve be used at the pump to relieve pressure spikes and surges.
6B - Maximum rpm at full displacement - 2800 rpm. For higher rpms up to 3600 rpm, pump displacement must be reduced to limit flow to 9.5 gpm (36 lpm) maximum.
8B - Maximum rpm at full displacement - 2100 rpm. For higher rpms up to 3600 rpm, pump displacement must be reduced to limit flow to 9.5 gpm (36 lpm) maximum.
10B - Maximum rpm at full displacement - 1800 rpm. For higher rpms up to 3600 rpm, pump displacement must be reduced to limit flow to 9.5 gpm (36 lpm) maximum.

PRESSURE and VOLUME ADJUSTMENT SENSITIVITY

		PUMP SIZE		4B	6B	6B	8B	8B	10B	6B	8B
		PRESSURE CODE		20	06	15	06	15	10	20	20
PRESSURE ADJUSTMENT	Press Change/Turn	psi (bar)		275 (19.0)	200 (13.7)	260 (17.9)	200 (13.7)	260 (17.9)	235 (16.2)	360 (24.9)	250 (17.2)
	Max. Torque	ft./lbs. (kg/m)		8.0 (1.10)	4.01 (0.55)	6.0 (0.83)	4.0 (0.55)	6.8 (0.83)	5.0 (0.89)	6.0 (0.83)	6.0 (0.83)
VOLUME ADJUSTMENT	Flow Change/Turn	gpm (lpm)		3.4 (12.9)	4.6 (17.4)		4.6 (17.4)		4.6 (17.4)	4.6 (17.4)	4.6 (17.4)
	Min. Flow Adjust.	gpm (lpm)		1.25 (3.78)	1.25 (3.78)		1.25 (3.78)		1.25 (3.78)	1.25 (3.78)	1.25 (3.78)
	Max. Torque	ft./lbs. (kg/m)		4.0 (0.55)	2.5 (0.34)		2.5 (0.34)		1.0 (0.34)	1.0 (0.34)	1.0 (0.34)

CAUTION: Turning the Maximum Volume Control in too far can force the cam ring over-center, causing damage.

PVR6 SERIES VANE PUMPS

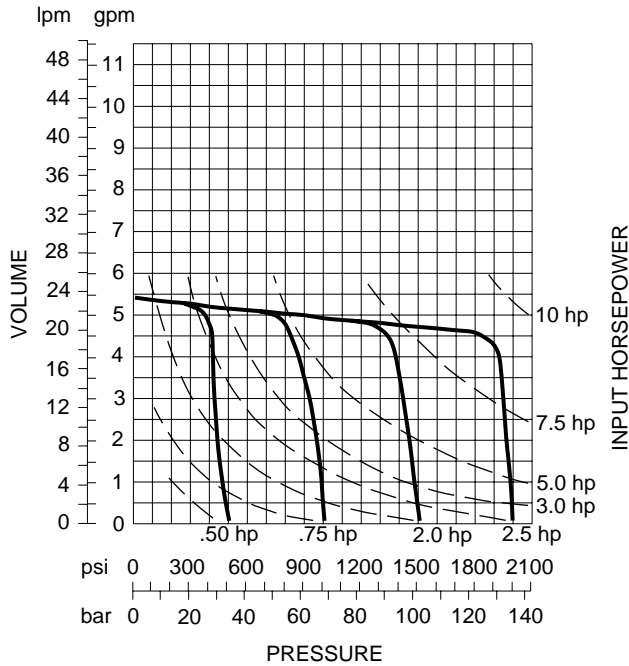
VARIABLE DISPLACEMENT PRESSURE COMPENSATED



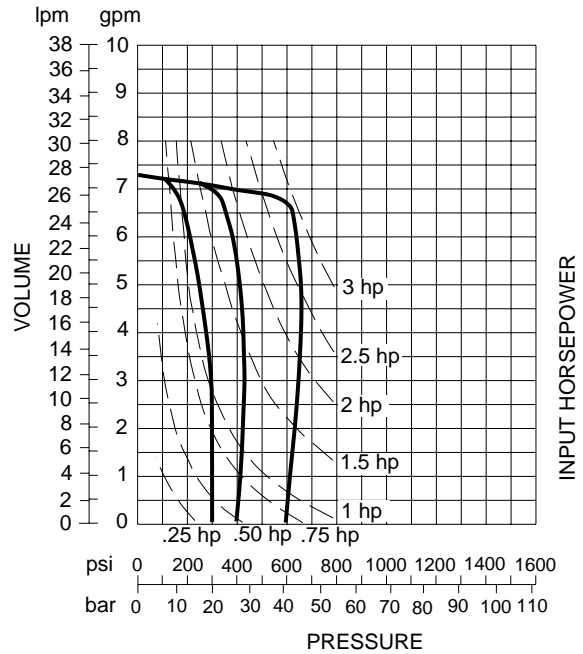
NOTE: Typical performance curves are based on ISO VG46 oil at 120° F. (49° C.). Above 400 SUS (84 CS), add 2% hp/100 SUS.

NOTE: Deadhead horsepower is read from curves at 0 gpm flow and pressure compensator setting psi.

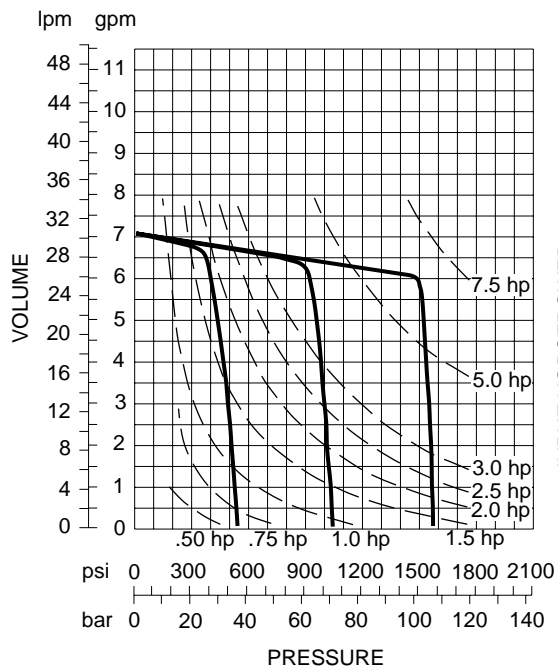
4B20 (at 1750 rpm)



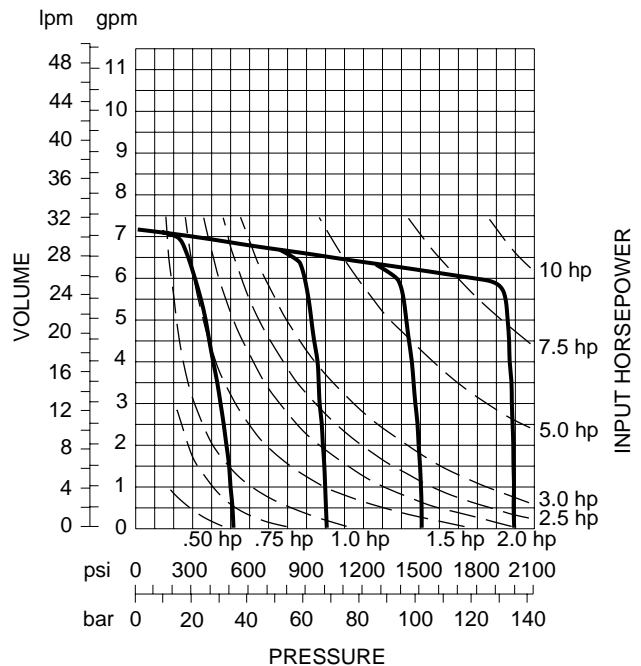
6B06 (at 1750 rpm)



6B15 (at 1750 rpm)



6B20 (at 1750 rpm)





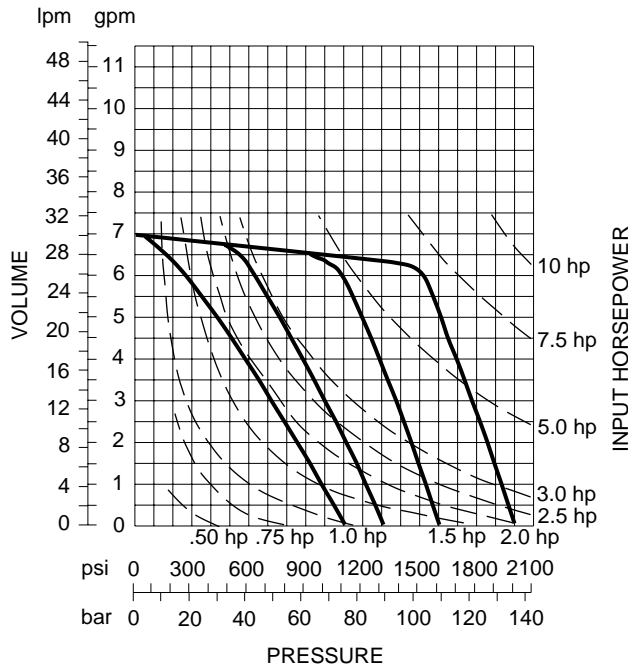
PVR6 SERIES VANE PUMPS

VARIABLE DISPLACEMENT PRESSURE COMPENSATED

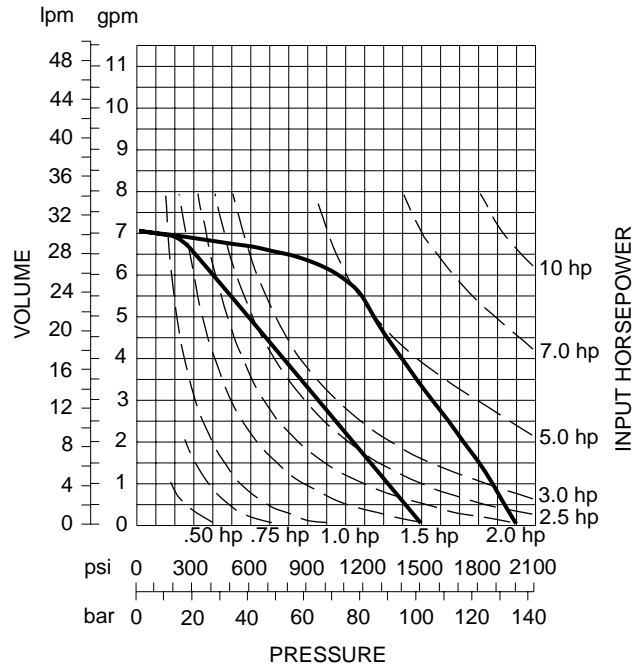
NOTE: Typical performance curves are based on ISO VG46 oil at 120° F. (49° C.). Above 400 SUS (84 CS), add 2% hp/100 SUS.

NOTE: Deadhead horsepower is read from curves at 0 gpm flow and pressure compensator setting psi.

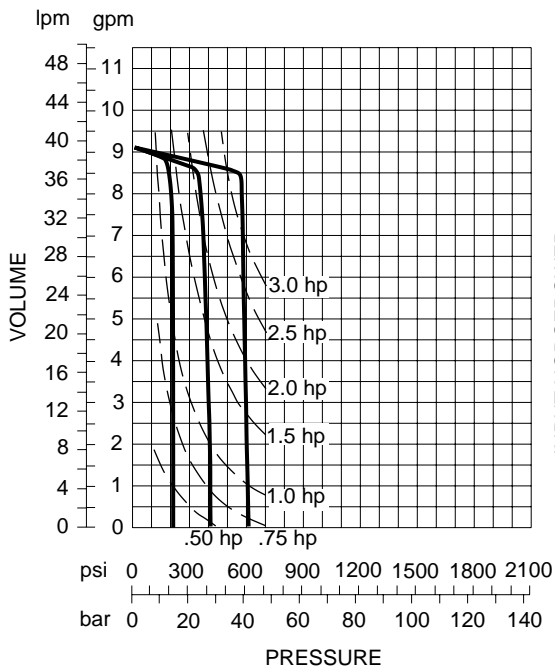
6B3L (at 1750 rpm)



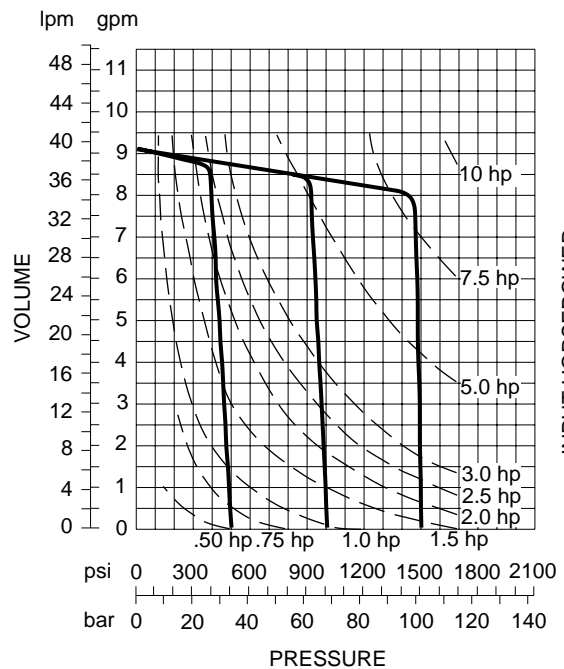
6B5L (at 1750 rpm)



8B06 (at 1750 rpm)



8B15 (at 1750 rpm)



PVR6 SERIES VANE PUMPS

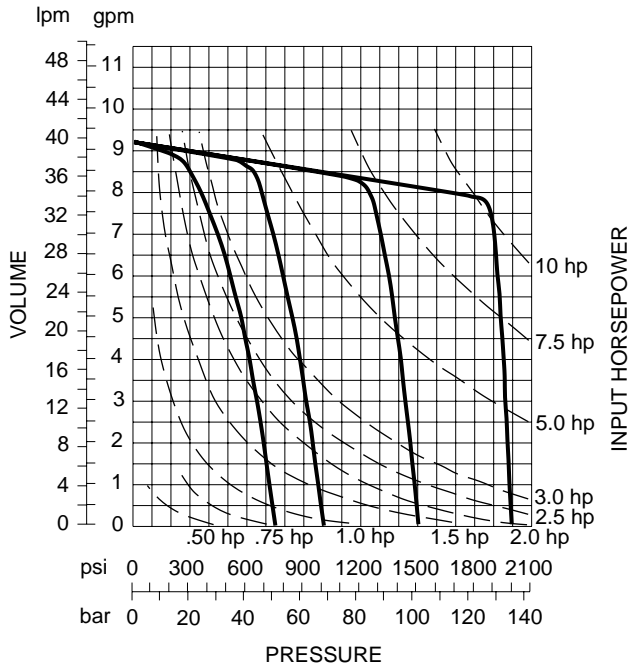
VARIABLE DISPLACEMENT PRESSURE COMPENSATED



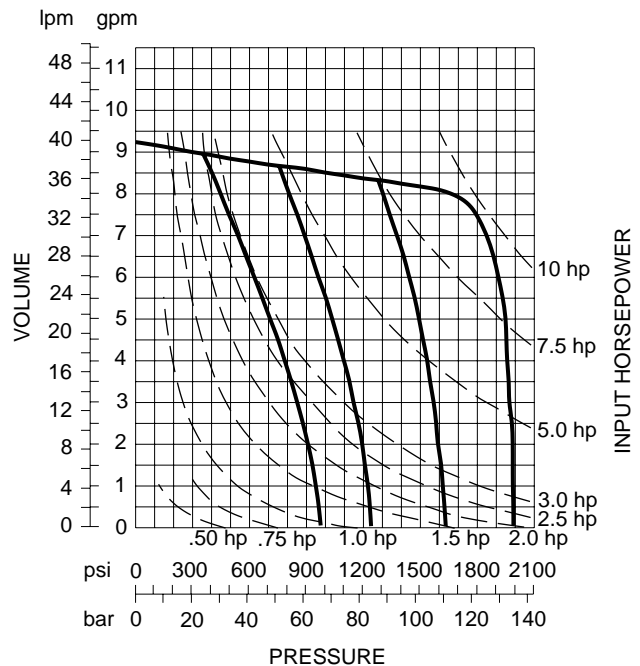
NOTE: Typical performance curves are based on ISO VG46 oil at 120° F. (49° C.). Above 400 SUS (84 CS), add 2% hp/100 SUS.

NOTE: Deadhead horsepower is read from curves at 0 gpm flow and pressure compensator setting psi.

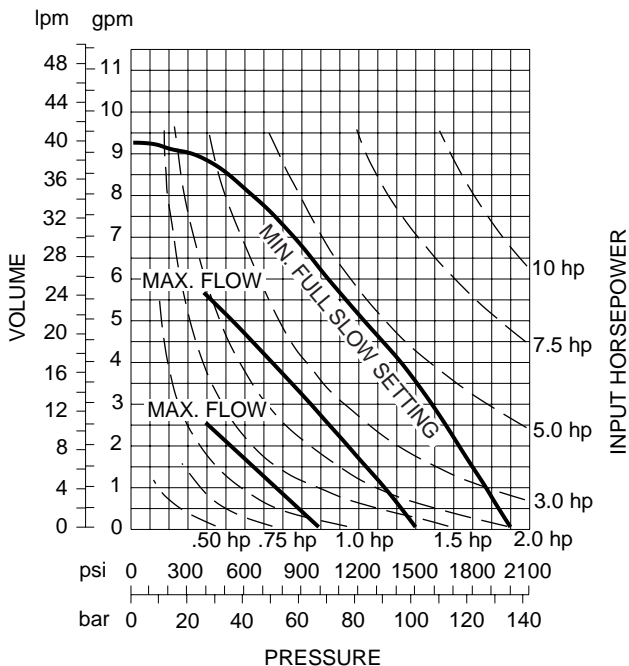
8B20 (at 1750 rpm)



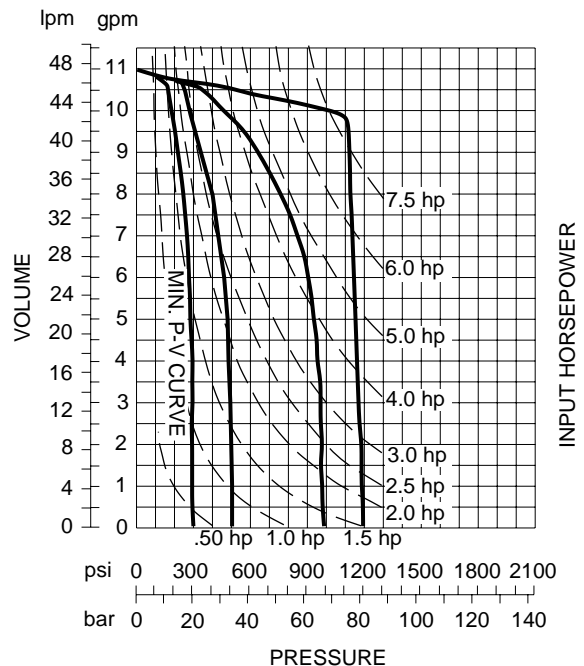
8B3L (at 1750 rpm)



8B5L (at 1750 rpm)



10B10* (at 1750 rpm)



* **NOTE:** Not to be used with water, glycol or emulsion fluids.



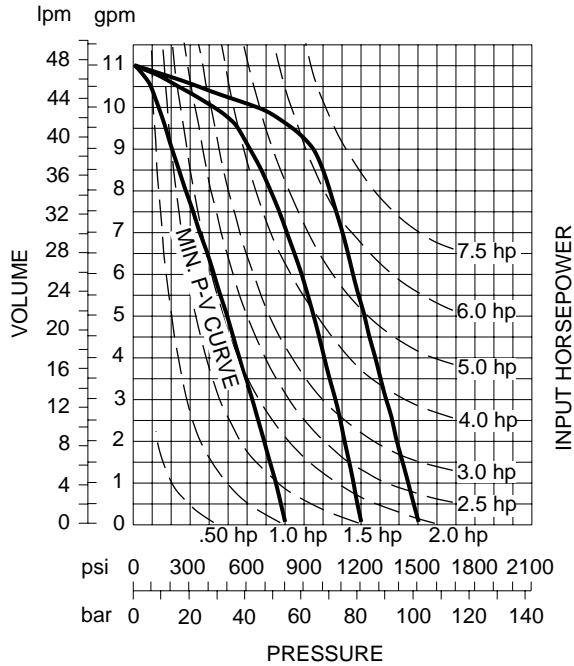
PVR6 SERIES VANE PUMPS

VARIABLE DISPLACEMENT PRESSURE COMPENSATED

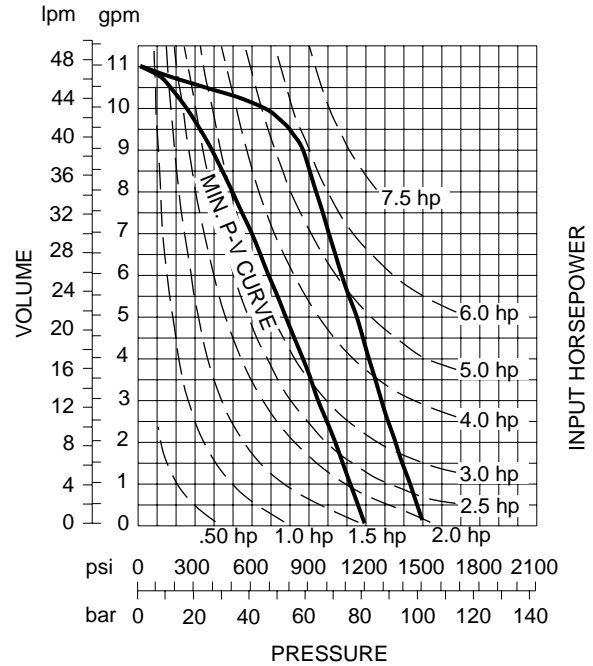
NOTE: Typical performance curves are based on ISO VG46 oil at 120° F. (49° C.). Above 400 SUS (84 CS), add 2% hp/100 SUS.

NOTE: Deadhead horsepower is read from curves at 0 gpm flow and pressure compensator setting psi.

10B3L (at 1750 rpm)



10B5L (at 1750 rpm)



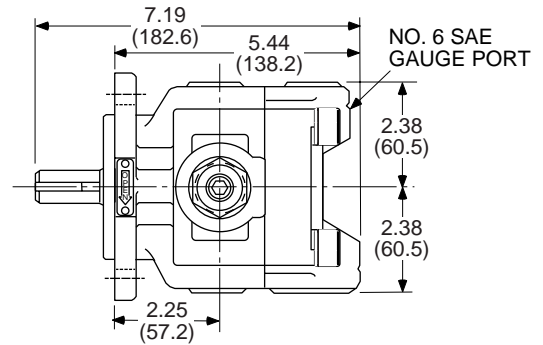
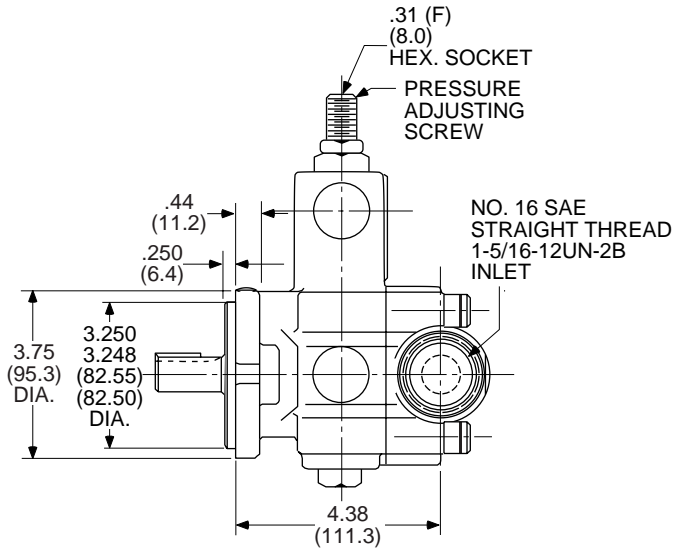
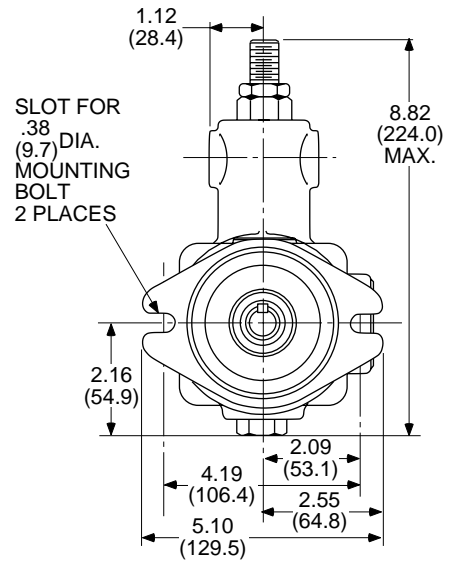
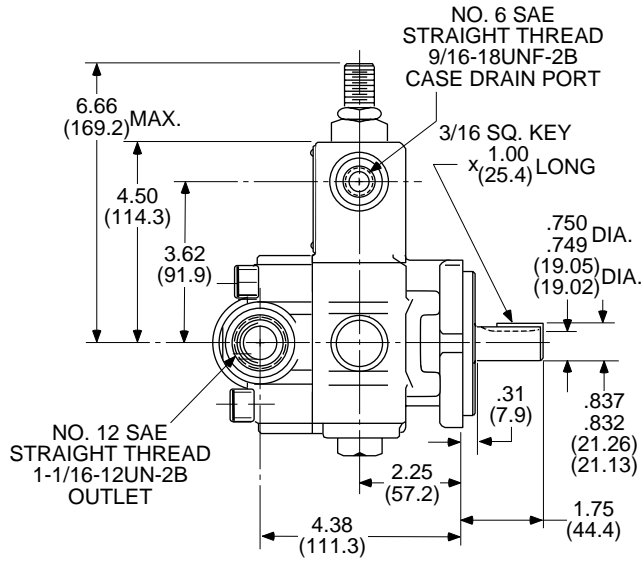
PVR6 SERIES VANE PUMPS

VARIABLE DISPLACEMENT PRESSURE COMPENSATED



PUMP DIMENSIONS

Dimensions shown in: Inches
(millimeters)





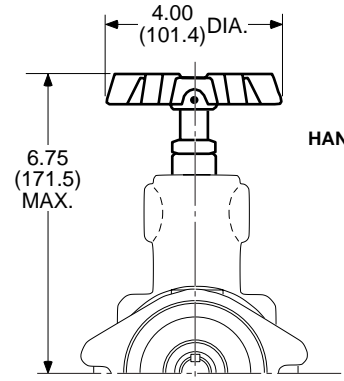
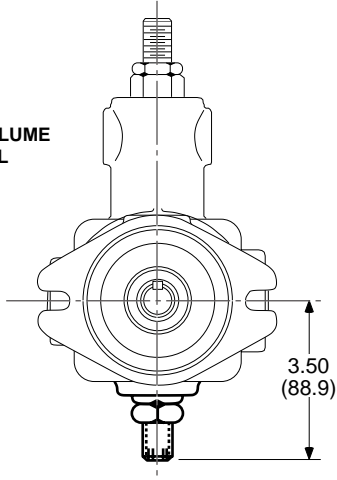
PVR6 SERIES VANE PUMPS

VARIABLE DISPLACEMENT PRESSURE COMPENSATED

MECHANICAL OPTIONS

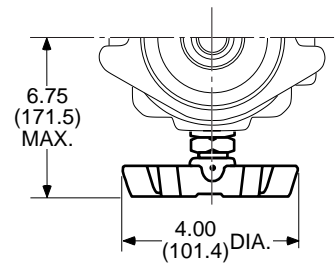
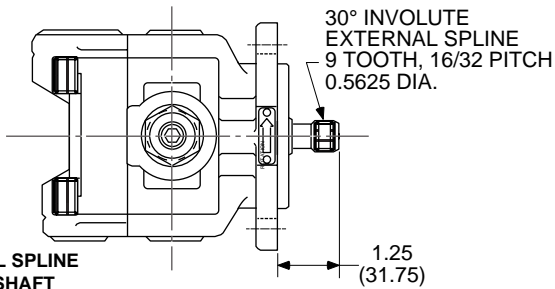
Dimensions shown in: Inches
(millimeters)

MAXIMUM VOLUME
CONTROL
CODE 6



HANDWHEEL PRESSURE
CONTROL
CODE 15

EXTERNAL SPLINE
DRIVE SHAFT
CODE 12



HANDWHEEL VOLUME
CONTROL
CODE 36

NOTE: This includes Maximum Volume Control - Code 6.

PVR6 SERIES VANE PUMPS

VARIABLE DISPLACEMENT PRESSURE COMPENSATED

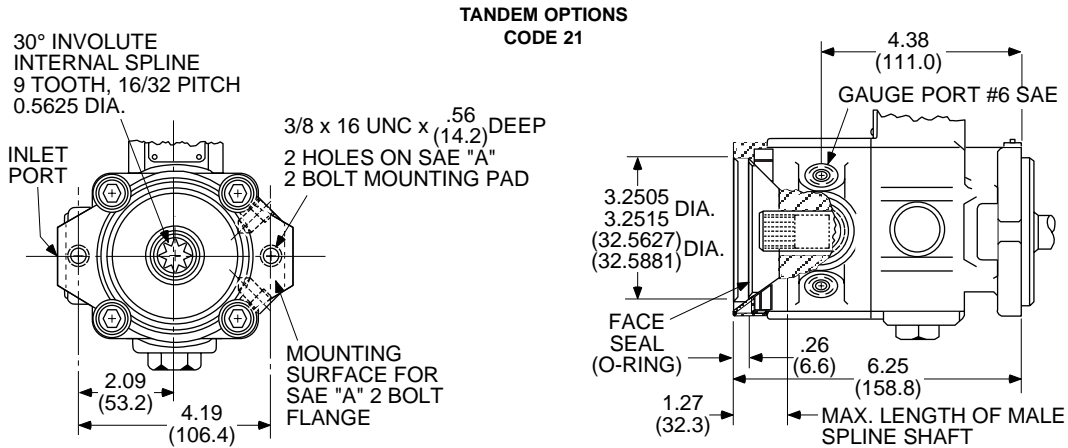


MECHANICAL OPTIONS

Dual pump operation without additional mounting flanges and couplings

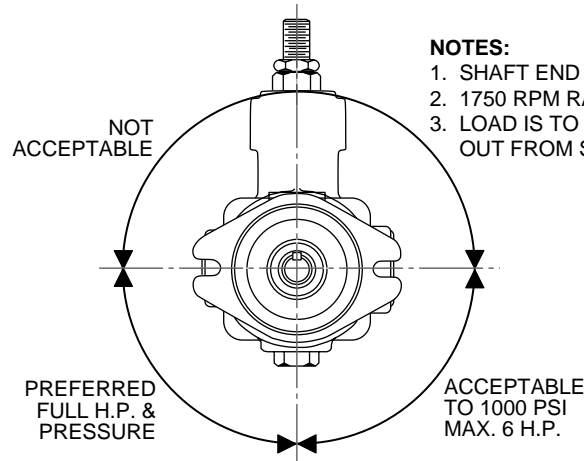
Permits mounting of another PVR6 or PVA6 pump (with Code 12*) or any SAE "A" -bolt flange mount pump incorporating a 30° involute, 16/32 pitch, 9 tooth external spline drive shaft. Maximum rating of internal spline is 8-1/2 hp at 1750 rpm.

Dimensions shown in: Inches
(millimeters)



SIDE LOAD DRIVES

i.e. Belt, Chain, Gear





PVR6 SERIES VANE PUMPS

VARIABLE DISPLACEMENT PRESSURE COMPENSATED

ORDERING INFORMATION

Right Hand (CW) Rotation

PVR6 – SELECT ONE – SELECT ONE – **RF** – SELECT ONE – SELECT ONE – DESIGN LETTER

SIZE

CODE	FLOW @ 1750 rpm
4B	4 gpm
6B	6 gpm
8B	8 gpm
10B*	10 gpm

PRESSURE

CODE	COMPENSATING PRESSURE RANGE
20	500 - 2000 psi
06	200 - 600 psi
15	500 - 1500 psi
20	500 - 2000 psi
3L	1100 - 2000 psi
5L	1300 - 2000 psi
06	200 - 600 psi
15	500 - 1500 psi
20	750 - 2000 psi
3L	1000 - 2000 psi
5L	1700 - 2000 psi
10	300 - 1000 psi
3L	800 - 1500 psi
5L	1200 - 1500 psi

SEALS

CODE	TYPE
O	BUNA-N
P	VITON

MECHANICAL OPTIONS

CODE	DESCRIPTION	AVAILABLE ON:
OMIT	NO OPTIONS	
6	MAXIMUM VOLUME CONTROL	ALL MODELS
12*	EXTERNAL SPLINE SHAFT	
15	HANDWHEEL PRESSURE CONTROL	
21*	"A" FLANGE TANDEM PUMP MOUNTING	6B, 8B, 10B ONLY
36	HANDWHEEL VOLUME CONTROL	ALL MODELS

*NOTE: Do not use water, glycol or emulsion fluids with the PVR6-10B pump.

*NOTE: For PVR6-4B Code 21 or 1221, consult the factory for price and delivery.

TYPICAL ORDERING CODE:
PVR6-8B15-RF-0-1-H

For more information please contact:



2 Swallow Drive, Alsager, Stoke on Trent, Staffs, ST7 2GJ

You can telephone or fax us in the UK on:

Tel: 08450 043440

Fax: 01270 876281



Web: <http://www.continentalhydraulics.co.uk>